

# WAE SERIES Commercial Lighting

CCT ADJUSTABLE LED ECONOMY WRAP-AROUND FIXTURES WITH SENSOR  
WAE-4FT-MCT-DD-SEN

**MCT** Multi Color Temperature (Selectable)

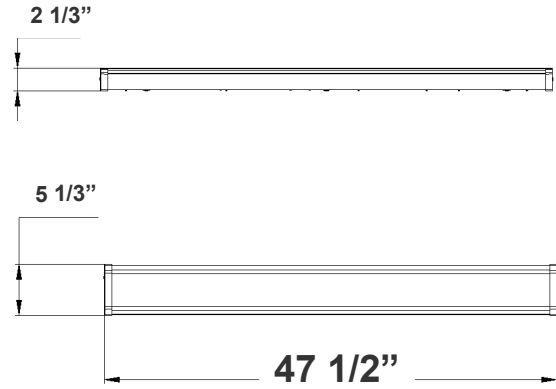
**WESTGATE**  
THE FUTURE IS HERE...AND IT'S QUITE BRIGHT!

Customer Name: \_\_\_\_\_

Project Name: \_\_\_\_\_

Note: \_\_\_\_\_

Type: \_\_\_\_\_



LED Economy Wrap-around fixtures are ideal for a variety of industrial, commercial and residential applications.

47 1/2"(L) x 5 1/3"(W) x 21 1/3"(H)

## Features

- Housing: Die-formed Cold Rolled Steel With Powder Coated White
- Installation: Ceiling-Mounted
- Lens: Polycarbonate Lens
- MCT: Multi Color Temperature (Selectable Switch Inside Fixture)

## Technical Specifications

### Electrical:

- Voltage: 120-277V AC 60Hz
- Wattage: 40W
- Power Factor: >0.99
- Efficacy: 80 LPW

### Mechanical:

- White Finish
- Housing: Die-formed Cold Rolled Steel With Powder Coated White
- Installation: Ceiling-Mounted
- Operating temperature: -22°F~104°F
- 5-Year Warranty

### Sensor Spec:

- Detection Range: 17Ft. / 360°
- Mounting Height: 25Ft. Max.
- DIP Settings switch on The Sensor
- Optional Remote Control (WEC-3RC)

### Lighting:

- Dimming: (Dual Function) Triac Dimmable at 120V & 0-10V Dimming at 120-277V
- Lens: Polycarbonate Lens
- Total Lumens: 3200LM
- Color Temperatures: 3000K/4000K/5000K
- Multi-CCT (Selectable switch inside fixture)
- Color Rendering Index: CRI ≥ 82
- Life Span: 50,000 Hrs.

### Applications:

- Ideal for a Variety of Industrial, Commercial and Residential Applications.

### Other Models:

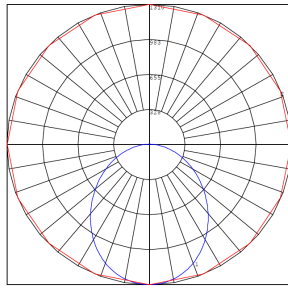
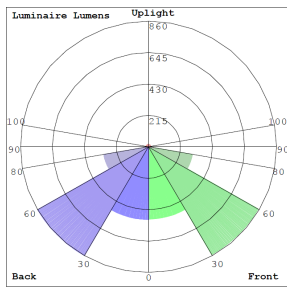
- 20W | 1600LM | WAE-2FT-MCT-DD-SEN



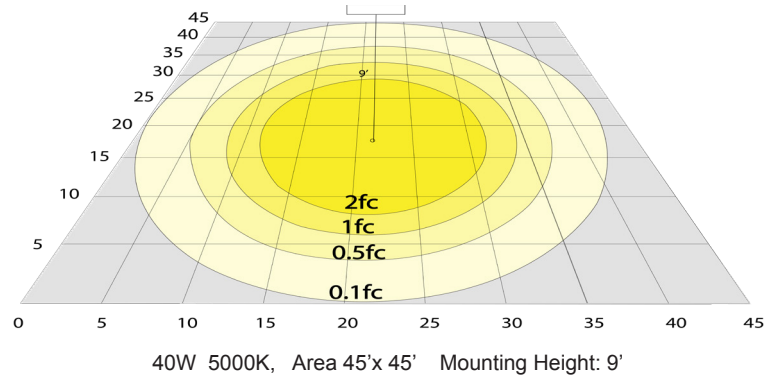
Phone: (877) 805-2252 | Fax: (877) 805-2252  
www.westgatemfg.com



## Photometrics: WAE-4FT-MCT-DD-SEN



BUD Rating: B1-U2-G1



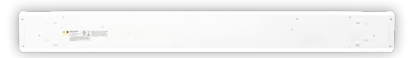
## Other Views:



Side View



Front View



Back View

## Performance Table: WAE-4FT-MCT-DD-SEN

MODEL NO.	Wattage	Voltage	Lumens	Color Temp.	BUG Rating	LPW
WAE-4FT-MCT-DD-SEN	40W	120~277V	3200LM	3000K 4000K 5000K	B1-U2-G1	80

## Sample Ordering

Model	Size	Color Temp.	Dimming	Sensor
WAE	4FT	MCT	DD	SEN

## Accessories:

Blank = No Option For Accessories

SCL-CSY1-6FT= ADJ. 6FT 1/16in SINGLE SUSPENSION 5in CANOPY SET WITH Y DOUBLE KEYHOLE END CONNECTORS, NONPOWER SIDE

SCL-CSY1P-6FT = ADJ. 6FT 1/16in SINGLE SUSPENSION 5in CANOPY SET WITH Y DOUBLE KEYHOLE END CONNECTORS, POWER SIDE WITH SJTW18/5 WHITE CORD

WEC-3RC = Remote Control For Motion Sensors (For Sensor Fixtures)

## ACCESSORIES:



SCL-CSY1-6FT



SCL-CSY1P-6FT



WEC-3RC

